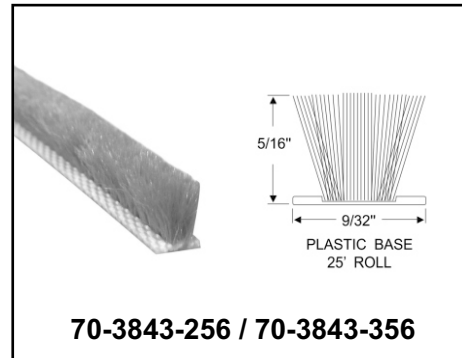




# Window Pile Weatherstripping

Replacement for Hehr & Jalousie vintage windows

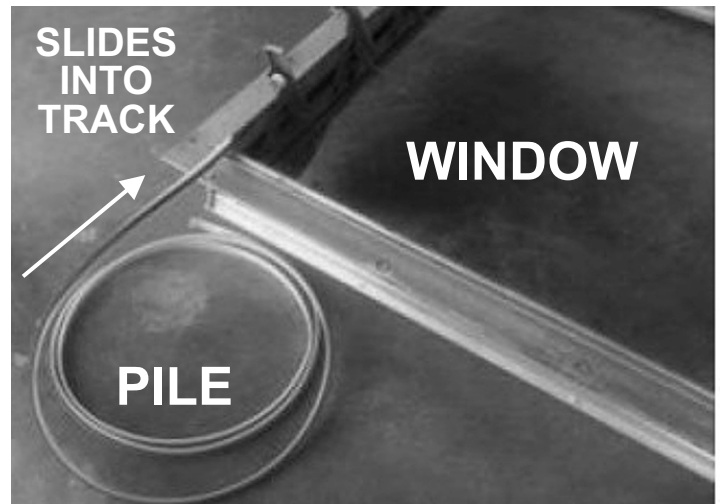
Part #'s 70-3842-256, 70-3842-356, 70-3843-256, 70-3843-356



## Removing & Installing Pile Weatherstripping

**1.** Two people are required.

**2. REMOVE OLD.** To remove the old weatherstripping, using a pair of needle nose pliers, one person should grab the bottom of the strip with the pliers and lightly pull down while the second person uses a small screw driver to simultaneously push down against the pile. The strip should gradually slide down a little each time you push and pull.



**3. INSTALL NEW.** The new weatherstripping can be inserted once again by two people. We first add a small amount of Dawn liquid dish soap to help the plastic backing slide in the groove. The first person should begin pushing the weatherstripping into the slot. After several inches have been inserted, you may not be able to push the backing into the strip. At this point, the second person should begin to use the small screw driver to push "up" against the weatherstripping while the first person continues to push the weatherstripping into the slot. One person should also move the glass holders back and forth while inserting the strip.

**4.** Initially, until the weatherstripping pile wears-in, there may be some resistance while closing the window, with the crank, due to the pile rubbing against the aluminum window frames. To minimize this resistance, we recommend that you polish the edge of the aluminum window frames where they contact the pile. Over time, as the window is used, this resistance will subside.

[WWW.STEELERUBBER.COM](http://WWW.STEELERUBBER.COM)

